

SNAP BUSHINGS



NYLON

FEATURES & BENEFITS

- Protects electrical cables through holes in sheet metal
- Locks into hole firmly with fingertip pressure
- UL approved
- Halogen free.

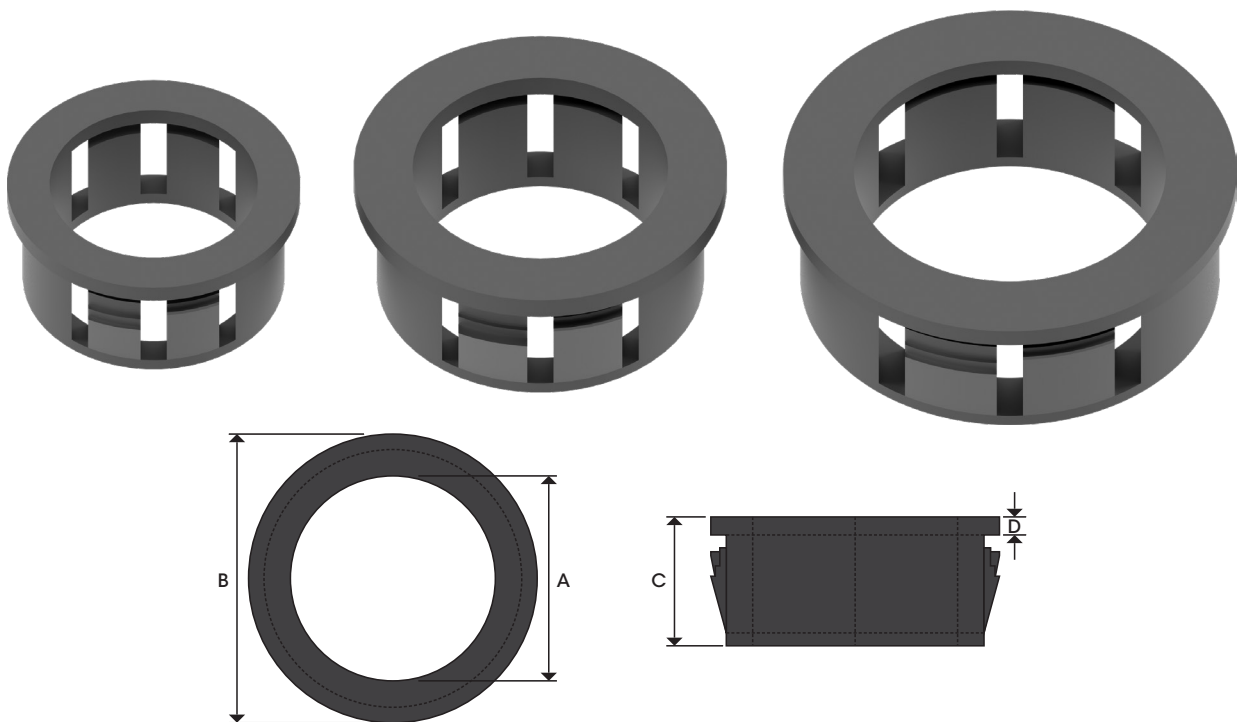
SPECIFICATIONS

Material:

- Nylon 66

Flammability:

- 94 V-2



DIMENSIONS

Code	Mounting Hole (mm)	A (mm)	B (mm)	C (mm)	D (mm)
BUSH-M20/S	20	15.9	22.4	10	1.4
BUSH-M25/S	25.4	19.5	28.5	11.7	1.8
BUSH-M32/S	32	23.8	34.6	11.4	1.5
BUSH-M38/S	38.1	29	42.1	11.4	1.5
BUSH-M50/S	50.8	41.6	54.6	11.8	1.56

SNAP BUSINGS - NYLON RANGE

Code	Description	Packing	MOQ	Ctn
BUSH-M20/S	Snap Bushing - Nylon 20mm Black	100	50	9500
BUSH-M25/S	Snap Bushing - Nylon 25mm Black	100	50	5500
BUSH-M30/S	Snap Bushing - Nylon 30mm Black	100	50	4000
BUSH-M32/S	Snap Bushing - Nylon 32mm Black	100	50	3500
BUSH-M38/S	Snap Bushing - Nylon 38mm Black	100	20	2200
BUSH-M50/S	Snap Bushing - Nylon 50mm Black	100	20	1500